

1. 基本信息

PDF 操作手册

设备编号	3101-00084
编号类型	内部编号
设备型号	CC2800
建档日期	2017-08-22 09:36:46
备案有效期	2018-08-22 09:36:46
产权单位	上海市机械施工集团有限公司
采购日期	2002-05-22
产地	德国
制造商	德马克
主臂最长	84 M
副臂最长	84 M
最大起重量	600 T
起重卷扬容绳量	900 M
对地压强（地耐力参数）	1.6 kg/cm ²
总重量（约）	1122 T

2. 机构特性

机构特性:

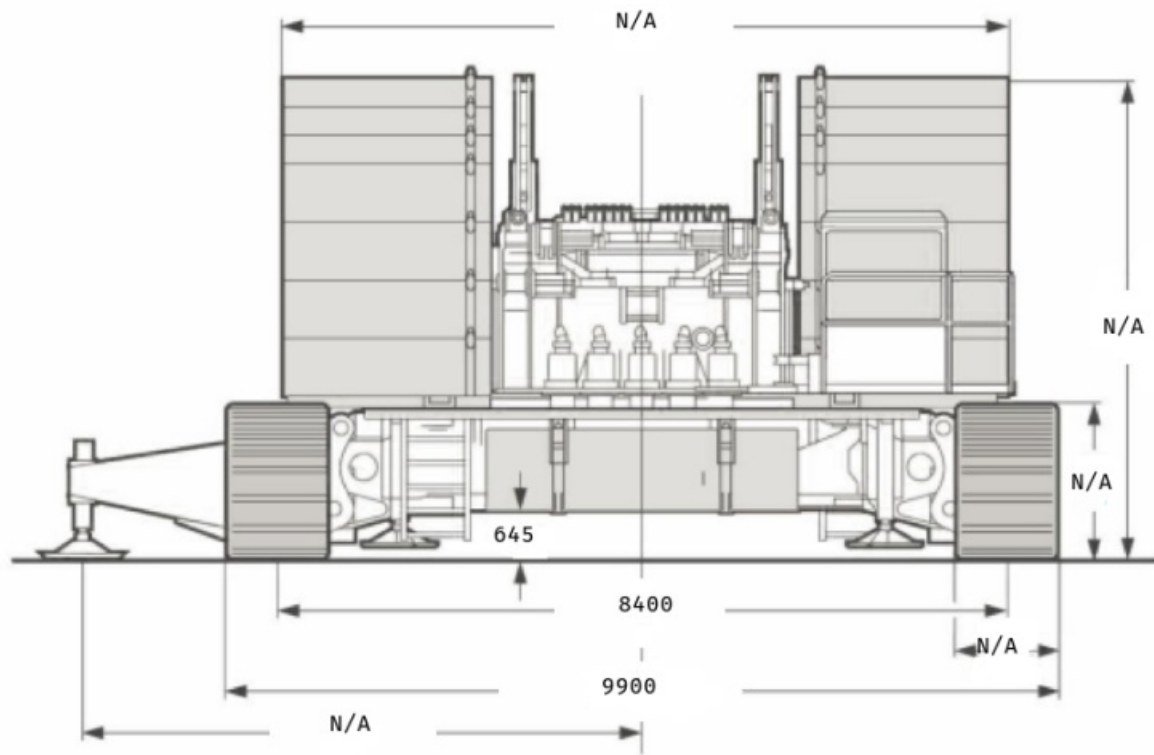
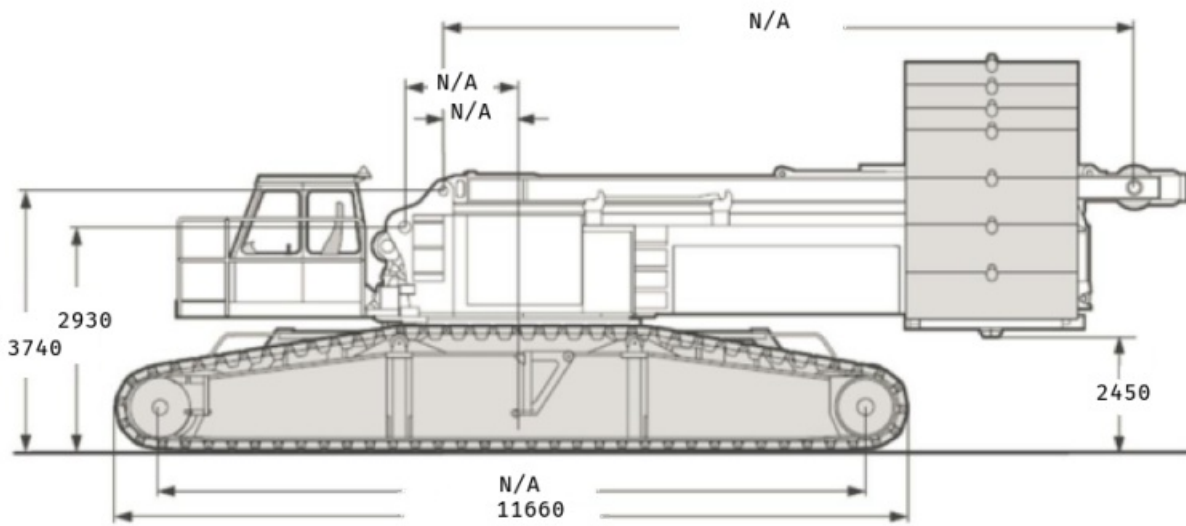
名称	最大速度 m/min	最大单绳牵引力 KN	卷筒容绳量
起重主卷扬	120	158	900

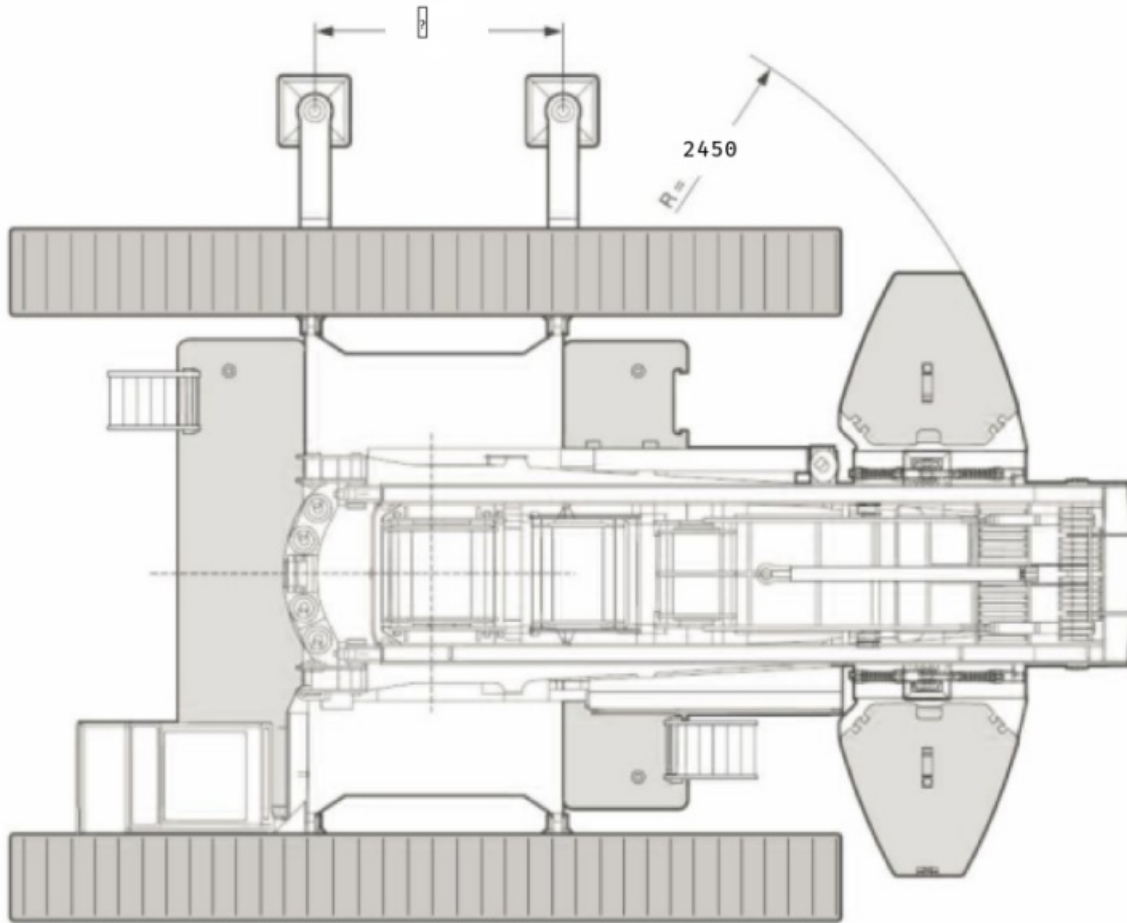
名称	最大速度 m/min	最大单绳牵引力 KN	卷筒容绳量
副变幅卷扬	120		
回转速度 r/min	0.7		
行走速度 km/h	1.2		
路基箱接地比压 (q)	采用专用路基箱横铺，在半径大于12米时，路基箱接地比压为16N/CM ² 。		

附言备注：

暂无备注

3. 外形尺寸





4. 设备清单

名称	数量	单重 (t)	总重 (t)	外形尺寸 (m) 长×宽×高	备注
一、主机部分					
本体	1	80.2	80.2	13.85×3×3.26	
履带总成	2	40.5	81	11.66×1.5×1.69	
中央配重块	4	15	60	2.4×1.8×0.55	
后配重托架	1	20	20	××	
尾部配重_1	22	10	220	2.4×1.8×0.5	
二、主臂部分					
主臂根部	1	19.5	19.5	10.5×2.7×2.4	
主臂中间节_1	2	4.4	8.8	6×2.7×2.4	6m
主臂头部	1	6.91	6.91	1.5×2.7×2.4	1.5m
主臂中间节_2	2	7.9	15.8	12×2.7×2.4	12m
三、副臂部分					
副臂根部	1	2.7	2.7	4.5×2.4×2.1	
副臂中间节_1	1	2.3	2.3	6×2.4×2.1	6m
副臂顶节	1	5.8	5.8	1.5×2.4×2.1	1.5m
副臂中间节_2	3	4.8	14.4	12×2.4×2.1	12m
副臂中间节_3	2	4	8	12×2.4×2.1	12m
四、桅杆、超起部分					

超起桅杆根部	数量	单重 (t)	总重 (t)	外形尺寸×(mm) 长×宽×高	备注
超起桅杆中间节_1	1	2.4	2.4	6×2.4×2.1	6m
超起桅杆头部	1	8.2	8.2	6.5×2.4×2.1	6.5m
超起配重托盘	1	4.1	4.1	7.3×2.96×0.53	
超起配重_1	30	10	300	××	
超起小车	1		0	××	
超起桅杆中间节_2	1	3.8	3.8	12×2.4×2.1	12m
五、吊钩					
吊钩	1	11.8	11.8	2.75×1.35×2.2	300
吊钩2	1	3.6	3.6	1.5×1×1.25	100t
吊钩3	1	2.8	2.8	1.25×1×0.95	50t
吊钩4	1	0.9	0.9	1.05×0.5×0.5	15t
六、路基箱					
路基箱	20	9.3	186	8.35×2.7×0.312	
坡度路基箱	4	4.3	17.2	4×3×0.312	
料具集装箱	1	12	12	6×2.4×2.4	
休息集装箱	1	5	5	6×2.4×2.4	
			总重量	1111.7099999999998 t	

5. 载荷性能曲线及起重性能表

SH		主压铁180t 中心压铁60t										
半径 (m)	臂长 (m)											
	24	30	36	42	48	54	60	66	72	78	84	
6	600.0*	-	-	-	-	-	-	-	-	-	-	-
7	573.0*	570.0*	567.0*	-	-	-	-	-	-	-	-	-
8	506.0*	503.0*	499.0*	497.0*	494.0#	-	-	-	-	-	-	-
9	405.0*	404.0*	402.0*	401.0*	400.0*	400.0*	399.0#	-	-	-	-	-
10	333.0*	331.0*	330.0*	328.0*	327.0*	327.0*	326.0*	325.0*	301.0*	-	-	-
12	244.00	242.00	240.00	239.00	237.00	237.00	236.0*	235.0*	235.0*	234.0*	212.0*	-
14	191.0	189.0	187.0	186.0	184.0	184.0	183.0	182.0*	181.0*	181.0*	179.0*	-
16	156.0	154.0	153.0	151.0	149.0	149.0	147.0	147.0	146.0	145.0	144.0*	-
18	132.0	130.0	128.0	126.0	125.0	124.0	122.0	122.0	121.0	120.0	119.0	-
20	113.0	111.0	109.0	108.0	106.0	105.0	104.0	103.0	102.0	101.0	100.0	-
22	99.0	97.0	95.0	93.0	92.0	91.0	89.0	89.0	88.0	87.0	85.0	-
24	-	86.0	84.0	82.0	80.0	79.0	78.0	77.0	76.0	75.0	74.0	-
26	-	77.0	75.0	73.0	71.0	70.0	69.0	68.0	67.0	66.0	64.0	-
28	-	70.0	67.0	65.0	63.0	62.0	61.0	60.0	59.0	58.0	56.0	-
30	-	-	61.0	59.0	57.0	56.0	54.0	53.0	52.0	52.0	50.0	-
34	-	-	-	49.0	47.0	45.0	44.0	43.0	42.0	41.0	39.0	-
38	-	-	-	41.0	39.0	38.0	36.0	35.0	33.0	32.0	30.0	-
42	-	-	-	-	33.0	32.0	30.0	28.0	27.0	26.0	24.0	-
46	-	-	-	-	-	27.0	24.0	23.0	22.0	20.0	18.0	-
50	-	-	-	-	-	-	20.0	19.0	17.0	16.0	14.0	-
54	-	-	-	-	-	-	17.0	16.0	14.0	13.0	10.0	-
58	-	-	-	-	-	-	-	13.0	11.0	10.0	7.0	-
62	-	-	-	-	-	-	-	-	9.0	7.0	5.0	-
66	-	-	-	-	-	-	-	-	-	5.0	-	-
穿绳:	*2x22 1x17	*2x22 1x17	*2x22 1x17	*2x18 1x17	#2x18 *2x14 1x17	*2x14 1x13	#2x14 *2x11 1x13	*2x11 1x10	*2x11 1x10	*2x8 1x10	*2x7 1x8	
代码:	00000101	00000102	00000103	00000104	00000105	00000106	00000107	00000108	00000109	00000110	00000111	

= 由于容量原因, 该半径以内吊钩无法落地 * = 必须使用双钩

SH		主压铁160t 中心压铁60t										
半径 (m)	臂长 (m)											
	24.00	30.00	36.00	42.00	48.00	54.00	60.00	66.00	72.00	78.00	84.00	
6.0	600.0*	-	-	-	-	-	-	-	-	-	-	
7.0	562.0*	559.0*	556.0*	-	-	-	-	-	-	-	-	
8.0	476.0*	475.0*	473.0*	472.0*	471.0*	-	-	-	-	-	-	
9.0	373.0*	372.0*	371.0*	369.0*	368.0*	368.0*	367.0*	-	-	-	-	
10.0	306.0*	305.0*	304.0*	302.0*	301.0*	300.0*	300.0*	299.0*	298.0*	-	-	
12.0	224.0	223.0	221.0	219.0	218.0	217.0	216.0*	216.0*	215.0*	215.0*	212.0*	
14.0	175.0	174.0	172.0	170.0	169.0	168.0	167.0	166.0	166.0*	165.0*	164.1*	
16.0	143.0	142.0	140.0	138.0	137.0	136.0	135.0	134.0	133.0	132.0	131.0	
18.0	121.0	119.0	117.0	115.0	114.0	113.0	112.0	111.0	110.0	109.0	108.0	
20.0	104.0	102.0	100.0	98.0	96.0	95.0	94.0	93.0	93.0	92.0	90.0	
22.0	91.0	89.0	87.0	85.0	83.0	82.0	81.0	80.0	79.0	78.0	77.0	
24.0	-	78.0	76.0	74.0	73.0	72.0	70.0	69.0	69.0	68.0	66.0	
26.0	-	70.0	68.0	66.0	64.0	63.0	62.0	61.0	60.0	59.0	57.0	
28.0	-	63.0	61.0	59.0	57.0	56.0	54.0	54.0	53.0	52.0	50.0	
30.0	-	-	55.0	53.0	51.0	50.0	48.0	48.0	46.0	46.0	44.0	
34.0	-	-	-	44.0	42.0	40.0	39.0	38.0	36.0	35.0	33.0	
38.0	-	-	-	37.0	35.0	33.0	31.0	30.0	29.0	28.0	26.0	
42.0	-	-	-	-	29.0	27.0	25.0	24.0	23.0	21.0	19.0	
46.0	-	-	-	-	-	23.0	21.0	19.0	18.0	17.0	14.0	
50.0	-	-	-	-	-	-	17.0	15.0	14.0	13.0	10.0	
54.0	-	-	-	-	-	-	14.0	12.0	11.0	9.0	7.0	
58.0	-	-	-	-	-	-	-	10.0	8.0	7.0	-	
62.0	-	-	-	-	-	-	-	-	6.0	-	-	
穿绳:	*2x22 1x17	*2x20 1x17	*2x20 1x17	*2x17 1x15	*2x17 1x15	*2x13 1x15	*2x13 1x12	*2x10 1x12	*2x11 1x10	*2x8 1x10	*2x7 1x8	
代码:	00000201	00000202	00000203	00000204	00000205	00000206	00000207	00000208	00000209	00000210	00000211	

= 由于容量原因, 该半径以内吊钩无法落地

* = 必须使用双钩

SH		主压铁160t 中心压铁0t										
半径 (m)	臂长 (m)											
	24.00	30.00	36.00	42.00	48.00	54.00	60.00	66.00	72.00	78.00	84.00	
6.0	427.0*	-	-	-	-	-	-	-	-	-	-	
7.0	406.0*	446.0*	487.0*	-	-	-	-	-	-	-	-	
8.0	388.0*	425.0*	423.0*	422.0*	422.0*	-	-	-	-	-	-	
9.0	334.0*	333.0*	331.0*	330.0*	329.0*	329.0*	328.0*	-	-	-	-	
10.0	274.0*	272.0*	271.0*	269.0*	268.0*	268.0*	267.0*	267.0*	264.0*	-	-	
12.0	200.0	198.0	197.0	195.0	194.0	193.0	192.0*	192.0*	191.0*	190.0*	189.0*	
14.0	156.0	154.0	153.0	151.0	150.0	149.0	148.0	147.0	146.0	146.0	144.1*	
16.0	127.0	126.0	124.0	122.0	121.0	120.0	119.0	118.0	117.0	116.0	115.0	
18.0	107.0	105.0	103.0	101.0	100.0	99.0	98.0	97.0	96.0	96.0	94.0	
20.0	92.0	90.0	88.0	86.0	84.0	83.0	82.0	82.0	81.0	80.0	78.0	
22.0	80.0	78.0	76.0	74.0	73.0	72.0	70.0	69.0	69.0	68.0	66.0	
24.0	-	69.0	67.0	65.0	63.0	62.0	61.0	60.0	59.0	58.0	57.0	
26.0	-	61.0	59.0	57.0	55.0	54.0	53.0	52.0	51.0	50.0	49.0	
28.0	-	55.0	53.0	51.0	49.0	48.0	47.0	46.0	45.0	44.0	42.0	
30.0	-	-	48.0	46.0	44.0	42.0	41.0	40.0	39.0	38.0	36.0	
34.0	-	-	-	37.0	35.0	34.0	32.0	31.0	30.0	29.0	27.0	
38.0	-	-	-	31.0	29.0	27.0	25.0	24.0	23.0	22.0	20.0	
42.0	-	-	-	-	24.0	22.0	20.0	19.0	17.0	16.0	14.0	
46.0	-	-	-	-	-	18.0	16.0	14.0	13.0	12.0	10.0	
50.0	-	-	-	-	-	-	13.0	11.0	9.0	8.0	6.0	
54.0	-	-	-	-	-	-	10.0	8.0	7.0	5.0	-	
58.0	-	-	-	-	-	-	-	6.0	-	-	-	
穿绳:	*2x15 1x15	*2x16 1x15	*2x17 1x15	*2x15 1x15	*2x15 1x15	*2x12 1x15	*2x11 1x10	*2x9 1x10	*2x11 1x15	*2x8 1x15	*2x7 1x15	
代码:	00000301	00000302	00000303	00000304	00000305	00000306	00000307	00000308	00000309	00000310	00000311	

= 由于容量原因, 该半径以内吊钩无法落地

* = 必须使用双钩

SH		主压铁140t 中心压铁0t					
半径 (m)	臂长 (m)						
	24.00	30.00	36.00	42.00	48.00	54.00	60.0
6.0	464.0*	-	-	-	-	-	-
7.0	440.0*	480.0*	521.0*	-	-	-	-
8.0	386.0*	385.0*	384.0*	382.0*	382.0*	-	-
9.0	302.0*	301.0*	300.0*	298.0*	297.0*	297.0*	296.0*
10.0	248.0*	246.0*	245.0*	243.0*	242.0*	242.0*	241.0*
12.0	180.0	179.0	177.0	176.0	174.0	174.0	173.0
14.0	141.0	139.0	137.0	136.0	134.0	133.0	132.0
16.0	115.0	113.0	111.0	109.0	108.0	107.0	106.0
18.0	96.0	94.0	92.0	90.0	89.0	88.0	87.0
20.0	82.0	80.0	78.0	76.0	75.0	74.0	73.0
22.0	72.0	70.0	68.0	66.0	64.0	63.0	62.0
24.0	-	61.0	59.0	57.0	55.0	54.0	53.0
26.0	-	54.0	52.0	50.0	48.0	47.0	46.0
28.0	-	49.0	46.0	44.0	43.0	42.0	40.0
30.0	-	-	42.0	40.0	38.0	37.0	35.0
34.0	-	-	-	32.0	30.0	28.0	27.0
38.0	-	-	-	27.0	24.0	22.0	20.0
42.0	-	-	-	-	20.0	18.0	16.0
46.0	-	-	-	-	-	14.0	12.0
50.0	-	-	-	-	-	-	9.0
54.0	-	-	-	-	-	-	7.0
穿绳:	*2x16 1x13	*2x17 1x17	*2x20 1x17	*2x13 1x17	*2x13 1x17	*2x10 1x12	*2x10 1x12
代码:	00000401	00000402	00000403	00000404	00000405	00000406	00000407

= 由于容绳量原因, 该半径以内吊钩无法落地

* = 必须使用双钩

SH		主压铁120t 中心压铁0t				
半径 (m)	臂长 (m)					
	24.00	30.00	36.00	42.00	48.00	54.0
6.0	502.0*	-	-	-	-	-
7.0	474.0*	474.0*	473.0*	-	-	-
8.0	346.0*	345.0*	344.0*	343.0*	342.0*	-
9.0	271.0*	270.0*	268.0*	267.0*	266.0*	265.0*
10.0	222.0	220.0	219.0	217.0	216.0	216.0
12.0	161.0	159.0	158.0	156.0	155.0	154.0
14.0	125.0	124.0	122.0	120.0	119.0	118.0
16.0	102.0	100.0	98.0	96.0	95.0	94.0
18.0	85.0	83.0	81.0	79.0	78.0	77.0
20.0	73.0	71.0	69.0	67.0	65.0	64.0
22.0	63.0	61.0	59.0	57.0	56.0	55.0
24.0	-	54.0	51.0	49.0	48.0	47.0
26.0	-	48.0	45.0	43.0	42.0	40.0
28.0	-	43.0	40.0	38.0	36.0	35.0
30.0	-	-	36.0	34.0	32.0	30.0
34.0	-	-	-	27.0	25.0	23.0
38.0	-	-	-	22.0	19.0	18.0
42.0	-	-	-	-	15.0	13.0
46.0	-	-	-	-	-	10.0
穿绳:	*2x18 1x17	*2x17 1x17	*2x17 1x15	*2x12 1x15	*2x12 1x15	*2x9 1x15
代码:	00000501	00000502	00000503	00000504	00000505	00000506

= 由于容绳量原因, 该半径以内吊钩无法落地

* = 必须使用双钩

SH		主压铁100t 中心压铁0t				
半径 (m)	臂长 (m)					
	24.00	30.00	36.00	42.00	48.0	
6.0	539.0*	-	-	-	-	
7.0	421.0*	420.0*	419.0*	-	-	
8.0	306.0*	305.0*	304.0*	303.0*	302.0*	
9.0	239.0	238.0	237.0	235.0	234.0	
10.0	195.0	194.0	193.0	191.0	190.0	
12.0	142.0	140.0	138.0	137.0	136.0	
14.0	110.0	108.0	106.0	105.0	103.0	
16.0	89.0	87.0	85.0	83.0	82.0	
18.0	74.0	72.0	70.0	68.0	67.0	
20.0	63.0	61.0	59.0	57.0	56.0	
22.0	55.0	53.0	51.0	49.0	47.0	
24.0	-	46.0	44.0	42.0	40.0	
26.0	-	41.0	38.0	36.0	35.0	
28.0	-	36.0	34.0	32.0	30.0	
30.0	-	-	30.0	28.0	26.0	
34.0	-	-	-	21.0	19.0	
38.0	-	-	-	17.0	14.0	
42.0	-	-	-	-	11.0	
穿绳:	*2x20 1x17	*2x15 1x17	*2x15 1x17	*2x11 1x17	*2x11 1x17	
代码:	00000601	00000602	00000603	00000604	00000605	
* = 必须使用双钩						

SH		主压铁80t 中心压铁0t				
半径 (m)	臂长 (m)					
	24.00	30.00	36.00	42.00	48.0	
6.0	577.0*	-	-	-	-	
7.0	367.0*	366.0*	365.0*	-	-	
8.0	266.0*	265.0*	264.0*	263.0*	262.0*	
9.0	208.0	207.0	205.0	204.0	203.0	
10.0	169.0	168.0	167.0	165.0	164.0	
12.0	122.0	121.0	119.0	117.0	116.0	
14.0	94.0	93.0	91.0	89.0	88.0	
16.0	76.0	74.0	72.0	71.0	69.0	
18.0	63.0	61.0	59.0	57.0	56.0	
20.0	54.0	52.0	49.0	48.0	46.0	
22.0	46.0	44.0	42.0	40.0	39.0	
24.0	-	38.0	36.0	34.0	32.0	
26.0	-	34.0	31.0	29.0	27.0	
28.0	-	30.0	27.0	25.0	23.0	
30.0	-	-	24.0	21.0	19.0	
34.0	-	-	-	16.0	14.0	
38.0	-	-	-	12.0	10.0	
42.0	-	-	-	-	7.0	
穿绳:	*2x22 1x15	*2x13 1x15	*2x13 1x15	*2x9 1x15	*2x9 1x15	
代码:	00000701	00000702	00000703	00000704	00000705	

* = 必须使用双钩

SH		主压铁220t 中心压铁60t									
半径 (m)	臂长 (m)										
	24.00	30.00	36.00	42.00	48.00	54.00	60.00	66.00	72.00	78.00	84.00
7.0	-	-	589.0*	-	-	-	-	-	-	-	-
8.0	-	522.0*	519.0*	516.0*	514.0#	-	-	-	-	-	-
9.0	468.0*	466.0*	463.0*	461.0*	458.0*	457.0#	415.0#	-	-	-	-
10.0	385.0*	383.0*	382.0*	380.0*	380.0*	379.0*	378.0*	343.0*	301.0*	-	-
12.0	282.0*	281.0*	279.0*	277.0*	276.0*	276.0*	275.0*	274.0*	273.0*	256.0*	212.0*
14.0	222.0	220.0	218.0	217.0	215.0	214.0	213.0*	213.0*	212.0*	211.0*	210.0*
16.0	182.0	180.0	178.0	176.0	175.0	174.0	173.0	172.0	172.0*	171.0*	169.0*
18.0	154.0	152.0	150.0	148.0	146.0	146.0	144.0	144.0	143.0	142.0	141.0*
20.0	133.0	131.0	129.0	127.0	125.0	124.0	123.0	122.0	121.0	121.0	119.0
22.0	116.0	114.0	112.0	110.0	109.0	108.0	106.0	106.0	105.0	104.0	102.0
24.0	-	101.0	99.0	97.0	96.0	95.0	93.0	92.0	91.0	91.0	89.0
26.0	-	91.0	89.0	87.0	85.0	84.0	82.0	82.0	81.0	80.0	78.0
28.0	-	82.0	80.0	78.0	76.0	75.0	74.0	73.0	72.0	71.0	69.0
30.0	-	-	73.0	70.0	69.0	67.0	66.0	65.0	64.0	63.0	62.0
34.0	-	-	-	59.0	57.0	56.0	54.0	53.0	52.0	51.0	49.0
38.0	-	-	-	50.0	48.0	47.0	45.0	44.0	43.0	42.0	40.0
42.0	-	-	-	-	41.0	40.0	38.0	37.0	35.0	34.0	32.0
46.0	-	-	-	-	-	34.0	32.0	31.0	29.0	28.0	26.0
50.0	-	-	-	-	-	-	28.0	26.0	24.0	23.0	21.0
54.0	-	-	-	-	-	-	24.0	22.0	20.0	19.0	17.0
58.0	-	-	-	-	-	-	-	19.0	17.0	16.0	13.0
62.0	-	-	-	-	-	-	-	-	14.0	13.0	11.0
66.0	-	-	-	-	-	-	-	-	-	10.0	8.0
70.0	-	-	-	-	-	-	-	-	-	9.0	6.0
穿绳:	*2x17 1x17	*2x20 1x17	*2x22 1x15	*2x18 1x15	#2x18 *2x16 1x15	#2x16 *2x13 1x15	#2x15 *2x13 1x12	*2x12 1x12	*2x11 1x10	*2x9 1x10	*2x7 1x8
代码:	00000801	00000802	00000803	00000804	00000805	00000806	00000807	00000808	00000809	00000810	00000811

= 由于容量原因, 该半径以内吊钩无法落地

* = 必须使用双钩

SH/LH		主压铁180t 中心压铁60t					
半径 (m)	臂长 (m)						
	66.0	72.0	78.0	84.0	90.0	96.0	102.0
9.0	298.0*	-	-	-	-	-	-
10.0	298.0*	249.0*	202.0*	-	-	-	-
12.0	242.0*	242.0*	202.0*	169.0*	154.0*	137.0*	-
14.0	188.0*	188.0*	174.0*	150.0*	154.0*	137.0*	108.0*
16.0	153.0*	153.0*	153.0*	133.0	142.0*	127.0*	99.0
18.0	128.0	128.0	128.0	119.0	126.0*	118.0	91.0
20.0	109.0	109.0	109.0	107.0	108.0	107.0	84.0
22.0	95.0	95.0	94.0	93.0	93.0	92.0	78.0
24.0	83.0	83.0	83.0	82.0	81.0	81.0	72.0
26.0	74.0	74.0	73.0	72.0	72.0	71.0	68.0
28.0	66.0	66.0	65.0	65.0	64.0	63.0	63.0
30.0	59.0	59.0	59.0	58.0	57.0	57.0	56.0
34.0	49.0	49.0	48.0	47.0	47.0	46.0	46.0
38.0	41.0	41.0	40.0	39.0	39.0	38.0	38.0
42.0	35.0	34.0	34.0	33.0	32.0	31.0	31.0
46.0	30.0	29.0	29.0	27.0	27.0	26.0	25.0
50.0	25.0	25.0	24.0	23.0	22.0	21.0	21.0
54.0	22.0	21.0	20.0	19.0	18.0	18.0	17.0
58.0	19.0	18.0	17.0	16.0	15.0	14.0	14.0
62.0	-	16.0	15.0	13.0	13.0	12.0	11.0
66.0	-	-	13.0	11.0	10.0	9.0	9.0
70.0	-	-	11.0	9.0	8.0	7.0	7.0
74.0	-	-	-	8.0	7.0	6.0	5.0
78.0	-	-	-	-	5.0	4.0	-
穿绳:	*2x10 1x9	*2x9 1x9	*2x7 1x9	*2x6 1x9	*2x6 1x8	*2x5 1x8	*2x4 1x7
代码:	00000121	00000122	00000123	00000124	00000125	00000126	00000127

= 由于容绳量原因, 该半径以内吊钩无法落地

* = 必须使用双钩

SH/LH		主压铁160t 中心压铁60t					
半径 (m)	臂长 (m)						
	66.0	72.0	78.0	84.0	90.0	96.0	102.0
9.0	298.0*	-	-	-	-	-	-
10.0	298.0*	249.0*	202.0*	-	-	-	-
12.0	222.0*	222.0*	202.0*	169.0*	154.0*	137.0*	-
14.0	173.0*	173.0*	173.0*	150.0*	154.0*	137.0*	108.0*
16.0	140.0	140.0	140.0	133.0	139.0*	127.0*	99.0
18.0	117.0	117.0	117.0	116.0	115.0	115.0	91.0
20.0	100.0	100.0	99.0	98.0	98.0	97.0	84.0
22.0	86.0	86.0	86.0	85.0	85.0	84.0	78.0
24.0	76.0	76.0	75.0	74.0	74.0	73.0	72.0
26.0	67.0	67.0	66.0	65.0	65.0	64.0	64.0
28.0	60.0	60.0	59.0	58.0	58.0	57.0	57.0
30.0	54.0	53.0	53.0	52.0	52.0	51.0	50.0
34.0	44.0	44.0	43.0	42.0	42.0	41.0	41.0
38.0	36.0	36.0	36.0	35.0	34.0	33.0	33.0
42.0	31.0	30.0	30.0	29.0	28.0	27.0	26.0
46.0	26.0	25.0	25.0	24.0	23.0	22.0	21.0
50.0	22.0	21.0	21.0	19.0	19.0	18.0	17.0
54.0	18.0	18.0	17.0	16.0	15.0	14.0	14.0
58.0	16.0	15.0	14.0	13.0	12.0	11.0	11.0
62.0	-	13.0	12.0	11.0	10.0	9.0	8.0
66.0	-	-	10.0	9.0	8.0	7.0	6.0
70.0	-	-	8.0	7.0	6.0	5.0	4.0
74.0	-	-	-	5.0	4.0	-	-
穿绳:	*2x10 1x10	*2x9 1x10	*2x7 1x10	*2x6 1x9	*2x6 1x8	*2x5 1x8	*2x4 1x7
代码:	00000221	00000222	00000223	00000224	00000225	00000226	00000227

= 由于容绳量原因, 该半径以内吊钩无法落地

* = 必须使用双钩

SH/LH		主压铁180t 中心压铁0t					
半径 (m)	臂长 (m)						
	66.0	72.0	78.0	84.0	90.0	96.0	102.0
9.0	298.0*	-	-	-	-	-	-
10.0	273.0*	249.0*	202.0*	-	-	-	-
12.0	198.0*	198.0*	198.0*	169.0*	154.0*	137.0*	-
14.0	154.0*	154.0*	153.0*	150.0*	152.0*	137.0*	108.0*
16.0	124.0	124.0	124.0	123.0	123.0*	122.0*	99.0
18.0	103.0	103.0	103.0	102.0	102.0	101.0	91.0
20.0	88.0	88.0	87.0	86.0	86.0	85.0	84.0
22.0	76.0	76.0	75.0	74.0	74.0	73.0	73.0
24.0	66.0	66.0	66.0	65.0	64.0	64.0	63.0
26.0	58.0	58.0	58.0	57.0	56.0	56.0	55.0
28.0	52.0	52.0	51.0	50.0	50.0	49.0	49.0
30.0	46.0	46.0	46.0	45.0	44.0	43.0	43.0
34.0	37.0	37.0	37.0	36.0	35.0	34.0	34.0
38.0	31.0	31.0	30.0	29.0	28.0	27.0	27.0
42.0	25.0	25.0	24.0	23.0	23.0	22.0	21.0
46.0	21.0	21.0	20.0	19.0	18.0	17.0	17.0
50.0	17.0	17.0	16.0	15.0	14.0	13.0	13.0
54.0	14.0	14.0	13.0	12.0	11.0	10.0	10.0
58.0	12.0	11.0	11.0	9.0	9.0	8.0	7.0
62.0	-	9.0	9.0	7.0	6.0	5.0	5.0
66.0	-	-	7.0	5.0	5.0	-	-
70.0	-	-	5.0	4.0	-	-	-
穿绳:	*2x10 1x9	*2x9 1x9	*2x7 1x9	*2x6 1x9	*2x6 1x7	*2x5 1x7	*2x4 1x7
代码:	00000321	00000322	00000323	00000324	00000325	00000326	00000327

= 由于容绳量原因, 该半径以内吊钩无法落地

* = 必须使用双钩

SH/LH		主压铁220t 中心压铁60t					
半径 (m)	臂长 (m)						
	66.0	72.0	78.0	84.0	90.0	96.0	102.0
9.0	298.0*	-	-	-	-	-	-
10.0	298.0*	249.0*	202.0*	-	-	-	-
12.0	259.0*	249.0*	202.0*	169.0*	154.0*	137.0*	-
14.0	219.0*	216.0*	174.0*	150.0*	154.0*	137.0*	108.0*
16.0	179.0*	179.0*	153.0*	133.0	142.0*	127.0*	99.0
18.0	150.0	150.0	135.0	119.0	131.0*	118.0	91.0
20.0	128.0	128.0	122.0	107.0	123.0*	110.0	84.0
22.0	112.0	112.0	111.0	96.0	110.0	104.0	78.0
24.0	99.0	98.0	98.0	87.0	97.0	96.0	72.0
26.0	88.0	88.0	87.0	80.0	86.0	85.0	68.0
28.0	79.0	79.0	78.0	73.0	77.0	76.0	64.0
30.0	71.0	71.0	71.0	66.0	69.0	68.0	60.0
34.0	59.0	59.0	58.0	55.0	57.0	56.0	53.0
38.0	50.0	50.0	49.0	47.0	48.0	47.0	46.0
42.0	43.0	42.0	42.0	40.0	40.0	40.0	39.0
46.0	37.0	37.0	36.0	35.0	34.0	34.0	33.0
50.0	32.0	32.0	31.0	30.0	29.0	28.0	28.0
54.0	28.0	28.0	27.0	26.0	25.0	24.0	23.0
58.0	25.0	24.0	23.0	22.0	21.0	20.0	20.0
62.0	-	21.0	20.0	19.0	18.0	17.0	17.0
66.0	-	-	18.0	16.0	16.0	15.0	14.0
70.0	-	-	16.0	14.0	13.0	12.0	12.0
74.0	-	-	-	12.0	11.0	10.0	9.0
78.0	-	-	-	-	10.0	8.0	7.0
82.0	-	-	-	-	-	7.0	5.0
穿绳:	*2x10 1x10	*2x9 1x10	*2x7 1x9	*2x6 1x9	*2x6 1x8	*2x5 1x8	*2x4 1x7
代码:	00000821	00000822	00000823	00000824	00000825	00000826	00000827

= 由于容绳量原因, 该半径以内吊钩无法落地

* = 必须使用双钩

SSL		主臂 36m 桅杆中心距15m			压铁180t 中心压铁60t		
半径 (m)	超起 (T)						
	0.0	50.0	100.0	150.0	200.0	250.0	300.0
7.0	576.0*	600.0*	600.0*	-	-	-	-
8.0	502.0*	571.0*	580.0*	586.0*	-	-	-
9.0	424.0*	510.0*	562.0*	573.0*	586.0*	-	-
10.0	352.0*	451.0*	512.0*	559.0*	576.0*	-	-
12.0	257.0*	347.0*	420.0*	472.0*	516.0*	548.0*	-
14.0	201.0	272.0*	344.0*	400.0*	443.0*	480.0*	495.0*
16.0	164.0	223.0	282.0*	339.0*	385.0*	420.0*	441.0*
18.0	137.0	188.0	239.0	290.0*	334.0*	373.0*	389.0*
20.0	118.0	162.0	206.0	251.0*	294.0*	330.0*	340.0*
22.0	103.0	142.0	181.0	221.0	260.0*	295.0*	300.0*
24.0	91.0	126.0	161.0	197.0	232.0	267.0*	268.0*
26.0	81.0	113.0	145.0	177.0	209.0	242.0	244.0
28.0	73.0	102.0	132.0	161.0	191.0	220.0	222.0
30.0	66.0	93.0	120.0	148.0	175.0	196.0	196.0
穿绳:	*2x22 1x17	*2x22 1x17	*2x22 1x17	*2x22 1x17	*2x22 1x17	*2x22 1x17	*2x22 1x17
代码:	51000103	22000103	23000103	24000103	25000103	26000103	27000103

= 由于容绳量原因, 该半径以内吊钩无法落地 * = 必须使用双钩

SSL		主臂 42m 桅杆中心距15m			压铁180t 中心压铁60t		
半径 (m)	超起 (T)						
	0.0	50.0	100.0	150.0	200.0	250.0	300.0
8.0	501.0*	569.0#	577.0#	580.0#	-	-	-
9.0	423.0*	508.0*	555.0*	564.0*	574.0#	-	-
10.0	350.0*	450.0*	510.0*	550.0*	567.0#	-	-
12.0	255.0*	345.0*	419.0*	470.0*	513.0*	546.0*	-
14.0	199.0	270.0*	342.0*	398.0*	440.0*	478.0*	478.0*
16.0	162.0	221.0	281.0*	338.0*	384.0*	418.0*	421.0*
18.0	136.0	186.0	237.0	288.0*	333.0*	371.0*	375.0*
20.0	116.0	160.0	205.0	249.0*	293.0*	329.0*	337.0*
22.0	101.0	140.0	180.0	219.0	258.0*	293.0*	306.0*
24.0	89.0	124.0	160.0	195.0	230.0	265.0*	280.0*
26.0	79.0	111.0	143.0	175.0	207.0	240.0	257.0*
28.0	71.0	100.0	130.0	159.0	189.0	218.0	236.0
30.0	64.0	91.0	118.0	146.0	173.0	200.0	216.0
34.0	53.0	77.0	100.0	124.0	147.0	171.0	179.0
38.0	46.0	66.0	87.0	108.0	129.0	144.0	-
穿绳:	#2x22 *2x20 1x17	#2x22 *2x20 1x17	#2x22 *2x20 1x17	#2x22 *2x20 1x17	#2x22 *2x20 1x17	#2x22 *2x20 1x17	#2x22 *2x20 1x17
代码:	51000104	22000104	23000104	24000104	25000104	26000104	27000104

= 由于容绳量原因, 该半径以内吊钩无法落地 * = 必须使用双钩

SSL	主臂 48m 桅杆中心距15m				压铁180t 中心压铁60t		
半径 (m)	超起 (T)						
	0.0	50.0	100.0	150.0	200.0	250.0	300.0
8.0	501.0#	540.0#	544.0#	548.0#	-	-	-
9.0	423.0*	505.0#	544.0#	548.0#	-	-	-
10.0	349.0*	451.0*	508.0#	534.0#	545.0#	-	-
12.0	254.0*	344.0*	419.0*	467.0*	511.0#	555.0#	-
14.0	198.0	269.0*	341.0*	398.0*	438.0*	476.0*	487.0*
16.0	161.0	220.0	279.0*	337.0*	383.0*	416.0*	425.0*
18.0	134.0	185.0	236.0	286.0*	332.0*	369.0*	375.0*
20.0	115.0	159.0	203.0	248.0*	292.0*	328.0*	335.0*
22.0	99.0	139.0	178.0	217.0	257.0*	292.0*	303.0*
24.0	87.0	123.0	158.0	193.0	229.0	264.0*	277.0*
26.0	77.0	110.0	142.0	174.0	206.0	238.0	256.0*
28.0	69.0	99.0	128.0	157.0	187.0	216.0	238.0
30.0	62.0	90.0	117.0	144.0	171.0	198.0	221.0
34.0	52.0	75.0	99.0	122.0	146.0	169.0	190.0
38.0	43.0	64.0	85.0	106.0	126.0	147.0	162.0
42.0	37.0	56.0	74.0	93.0	111.0	130.0	134.0
穿绳:	#2x20 *2x17 1x17	#2x20 *2x17 1x17	#2x20 *2x17 1x17	#2x20 *2x17 1x17	#2x20 *2x17 1x17	#2x20 *2x17 1x17	#2x20 *2x17 1x17
代码:	51000105	22000105	23000105	24000105	25000105	26000105	27000105

= 由于容绳量原因, 该半径以内吊钩无法落地 * = 必须使用双钩

SSL	主臂 54m 桅杆中心距15m				压铁180t 中心压铁60t		
半径 (m)	超起 (T)						
	0.0	50.0	100.0	150.0	200.0	250.0	300.0
9.0	424.0*	504.0#	518.0#	518.0#	-	-	-
10.0	349.0*	452.0#	506.0#	514.0#	518.0#	-	-
12.0	253.0*	343.0*	420.0*	466.0#	505.0#	518.0#	-
14.0	197.0	268.0*	340.0*	398.0*	437.0*	474.0#	497.0#
16.0	160.0	219.0	278.0*	337.0*	381.0*	414.0*	438.0*
18.0	133.0	184.0	235.0*	286.0*	332.0*	367.0*	389.0*
20.0	114.0	158.0	202.0	247.0*	291.0*	327.0*	348.0*
22.0	98.0	138.0	177.0	216.0	256.0*	292.0*	314.0*
24.0	86.0	122.0	157.0	192.0	228.0*	263.0*	285.0*
26.0	76.0	108.0	141.0	173.0	205.0	237.0*	262.0*
28.0	68.0	98.0	127.0	156.0	186.0	215.0	242.0*
30.0	61.0	88.0	115.0	143.0	170.0	197.0	224.0*
34.0	50.0	74.0	97.0	121.0	144.0	168.0	191.0
38.0	42.0	63.0	83.0	104.0	125.0	146.0	165.0
42.0	36.0	54.0	73.0	91.0	110.0	128.0	142.0
46.0	31.0	48.0	64.0	81.0	98.0	115.0	124.0
穿绳:	#2x18 *2x15 1x15	#2x18 *2x15 1x15	#2x18 *2x15 1x15	#2x18 *2x15 1x15	#2x18 *2x15 1x15	#2x18 *2x15 1x15	#2x18 *2x15 1x15
代码:	51000106	22000106	23000106	24000106	25000106	26000106	27000106

= 由于容绳量原因, 该半径以内吊钩无法落地 * = 必须使用双钩

SSL	主臂 60m 桅杆中心距15m				压铁180t 中心压铁60t		
半径 (m)	超起 (T)						
	0.0	50.0	100.0	150.0	200.0	250.0	300.0
9.0	425.0#	457.0#	459.0#	462.0#	-	-	-
10.0	348.0*	452.0#	459.0#	462.0#	-	-	-
12.0	252.0*	342.0*	420.0#	442.0#	455.0#	-	-
14.0	196.0*	267.0*	339.0*	397.0#	435.0#	465.0#	-
16.0	159.0	218.0*	277.0*	337.0*	379.0*	412.0#	423.0#
18.0	132.0	183.0	234.0*	284.0*	331.0*	365.0*	377.0*
20.0	112.0	157.0	201.0*	245.0*	290.0*	327.0*	338.0*
22.0	97.0	136.0	176.0	215.0*	254.0*	291.0*	306.0*
24.0	85.0	120.0	156.0	191.0	226.0*	262.0*	278.0*
26.0	75.0	107.0	139.0	171.0	203.0*	236.0*	255.0*
28.0	67.0	96.0	126.0	155.0	184.0	214.0*	235.0*
30.0	60.0	87.0	114.0	141.0	168.0	196.0*	219.0*
34.0	49.0	72.0	96.0	119.0	143.0	166.0	190.0
38.0	40.0	61.0	82.0	103.0	123.0	144.0	165.0
42.0	34.0	53.0	71.0	90.0	108.0	127.0	145.0
46.0	28.0	46.0	62.0	79.0	96.0	113.0	129.0
50.0	24.0	40.0	55.0	71.0	86.0	101.0	114.0
54.0	21.0	36.0	50.0	64.0	78.0	92.0	97.0
穿绳:	#2x16 *2x13 1x13	#2x16 *2x13 1x13	#2x16 *2x13 1x13	#2x16 *2x13 1x13	#2x16 *2x13 1x13	#2x16 *2x13 1x13	#2x16 *2x13 1x13
代码:	51000107	22000107	23000107	24000107	25000107	26000107	27000107

= 由于容绳量原因, 该半径以内吊钩无法落地

* = 必须使用双钩

SSL	主臂 66m 桅杆中心距15m				压铁180t 中心压铁60t		
半径 (m)	超起 (T)						
	0.0	50.0	100.0	150.0	200.0	250.0	300.0
10.0	347.0*	394.0#	399.0#	404.0#	-	-	-
12.0	252.0*	342.0*	381.0#	392.0#	403.0#	-	-
14.0	195.0*	267.0*	338.0*	380.0#	397.0#	411.0#	-
16.0	158.0	217.0*	277.0*	336.0*	378.0#	404.0#	404.0#
18.0	131.0	182.0*	233.0*	284.0*	331.0*	364.0#	367.0#
20.0	112.0	156.0	200.0*	245.0*	289.0*	326.0*	334.0*
22.0	96.0	136.0	175.0	214.0*	254.0*	291.0*	305.0*
24.0	84.0	119.0	155.0	190.0*	226.0*	261.0*	280.0*
26.0	74.0	106.0	138.0	170.0	203.0*	235.0*	258.0*
28.0	66.0	95.0	125.0	154.0	184.0*	213.0*	238.0*
30.0	59.0	86.0	113.0	140.0	167.0	195.0*	221.0*
34.0	48.0	71.0	95.0	118.0	142.0	165.0	189.0*
38.0	39.0	60.0	81.0	102.0	122.0	143.0	164.0
42.0	33.0	51.0	70.0	89.0	107.0	126.0	144.0
46.0	27.0	45.0	61.0	78.0	95.0	112.0	128.0
50.0	23.0	39.0	54.0	69.0	85.0	100.0	115.0
54.0	19.0	34.0	48.0	62.0	76.0	91.0	104.0
58.0	16.0	30.0	44.0	57.0	70.0	83.0	90.0
穿绳:	#2x14 *2x12 1x12	#2x14 *2x12 1x12	#2x14 *2x12 1x12	#2x14 *2x12 1x12	#2x14 *2x12 1x12	#2x14 *2x12 1x12	#2x14 *2x12 1x12
代码:	51000108	22000108	23000108	24000108	25000108	26000108	27000108

= 由于容绳量原因, 该半径以内吊钩无法落地

* = 必须使用双钩

SSL	主臂 72m 桅杆中心距15m				压铁180t 中心压铁60t		
半径 (m)	超起 (T)						
	0.0	50.0	100.0	150.0	200.0	250.0	300.0
10.0	340.0#	346.0#	351.0#	-	-	-	-
12.0	251.0*	341.0#	351.0#	358.0#	-	-	-
14.0	195.0*	266.0*	337.0#	348.0#	360.0#	-	-
16.0	157.0	216.0*	276.0*	335.0#	355.0#	373.0#	-
18.0	131.0	181.0*	232.0*	283.0*	332.0#	351.0#	351.0#
20.0	111.0	155.0	199.0*	244.0*	288.0*	322.0*	322.0*
22.0	95.0	135.0	174.0*	213.0*	253.0*	291.0*	297.0*
24.0	83.0	118.0	154.0	189.0*	225.0*	260.0*	274.0*
26.0	73.0	105.0	137.0	169.0*	202.0*	234.0*	254.0*
28.0	65.0	94.0	124.0	153.0	183.0*	212.0*	236.0*
30.0	58.0	85.0	112.0	139.0	166.0*	194.0*	220.0*
34.0	47.0	70.0	94.0	117.0	141.0	164.0	188.0*
38.0	38.0	59.0	80.0	100.0	121.0	142.0	163.0
42.0	31.0	50.0	69.0	87.0	106.0	124.0	143.0
46.0	26.0	43.0	60.0	77.0	93.0	110.0	127.0
50.0	21.0	37.0	53.0	68.0	83.0	99.0	114.0
54.0	17.0	32.0	47.0	61.0	75.0	89.0	103.0
58.0	14.0	28.0	42.0	55.0	68.0	81.0	93.0
62.0	12.0	25.0	38.0	50.0	62.0	74.0	83.0
穿绳:	#2x13 *2x11 1x11	#2x13 *2x11 1x11	#2x13 *2x11 1x11	#2x13 *2x11 1x11	#2x13 *2x11 1x11	#2x13 *2x11 1x11	#2x13 *2x11 1x11
代码:	51000109	22000109	23000109	24000109	25000109	26000109	27000109

= 由于容绳量原因, 该半径以内吊钩无法落地

* = 必须使用双钩

SSL	主臂 78m 桅杆中心距15m				压铁180t 中心压铁60t		
半径 (m)	超起 (T)						
	0.0	50.0	100.0	150.0	200.0	250.0	300.0
12.0	251.0*	299.0*	303.0#	306.0#	-	-	-
14.0	194.0*	265.0*	295.0*	301.0#	-	-	-
16.0	156.0*	216.0*	275.0*	296.0*	305.0#	-	-
18.0	130.0	181.0*	231.0*	282.0*	300.0#	311.0#	-
20.0	110.0	154.0*	199.0*	243.0*	287.0*	298.0*	298.0*
22.0	95.0	134.0	173.0*	213.0*	252.0*	284.0*	284.0*
24.0	82.0	118.0	153.0*	188.0*	224.0*	259.0*	270.0*
26.0	72.0	104.0	137.0	169.0*	201.0*	233.0*	256.0*
28.0	64.0	93.0	123.0	152.0*	182.0*	211.0*	241.0*
30.0	57.0	84.0	111.0	138.0	166.0*	193.0*	220.0*
34.0	46.0	69.0	93.0	116.0	140.0	163.0*	187.0*
38.0	37.0	58.0	79.0	100.0	120.0	141.0	162.0*
42.0	30.0	49.0	68.0	86.0	105.0	123.0	142.0
46.0	24.0	42.0	59.0	76.0	92.0	109.0	126.0
50.0	20.0	36.0	52.0	67.0	82.0	98.0	113.0
54.0	16.0	31.0	46.0	60.0	74.0	88.0	102.0
58.0	13.0	27.0	41.0	54.0	67.0	80.0	93.0
62.0	10.0	23.0	36.0	49.0	61.0	73.0	85.0
66.0	8.0	20.0	32.0	44.0	55.0	67.0	77.0
70.0	6.0	18.0	29.0	40.0	51.0	62.0	67.0
穿绳:	#2x11 *2x10 1x10	#2x11 *2x10 1x10	#2x11 *2x10 1x10	#2x11 *2x10 1x10	#2x11 *2x10 1x10	#2x11 *2x10 1x10	#2x11 *2x10 1x10
代码:	51000110	22000110	23000110	24000110	25000110	26000110	27000110

= 由于容绳量原因, 该半径以内吊钩无法落地

* = 必须使用双钩

6. 其他证照资料

年检报告:



中国认可
检测
TESTING
CNASL0857

SICCM-JL-BG80B-2013

报告编号: 1703191402

合格证编号: NJAH170125

建设机械年度检验报告

设备名称: 履带起重机

委托单位: 上海市机械施工集团有限公司




上海市建设机械检测中心有限公司

2017 03 21
年 月 日



履带起重机年度检验报告

委托单位 上海机械施工集团有限公司 合格证编号 NJAH170125
 检验日期 2017 年 03 月 20 日 天气 阴

检验地点	北横通道新建工程I标			设备型号	CC2800
设备生产厂	德与克			设备编号	84
出厂年月	2002			出厂编号	62163
额定起重量	600 t			检验臂长	78 m
检验依据	JG 5055—1994《履带起重机安全规程》				
检验结果	保证项目不合格数	0	一般项目不合格数	0	资料
	合格				
备注	附表一 资料检查 附表二 设备检查 签发日期: 2017年03月21日 				

批准: 付坤祥 审核: 杨国森 检验: 朱国森

说明: 1. 根据履带起重机构造或实际安装状态, 如对应表列项目无检验内容, 则在“结果”栏目中注明“无此项”。
 2. 检验项目中带“*”记号的项目系保证项目, 其它为一般项目, 依据检验情况分合格、整改合格、不合格三项, 判断标准如下:

级别	保证项目	一般项目不合格数	资料
合格	无不合格项	≤4项	齐全
整改合格	整改后达到合格要求		
不合格	整改后未达到合格要求		

使用仪器

序号	仪器名称	仪器编号
1	吊秤	1-38
2	游标卡尺	1-44
3	卷尺	1-65

附表一

资料检查

序号	项 目	要 求	结 果	备 注
1	使用说明书	应有,与所验设备相符	合格	
2	制造许可证、出厂合格证	应有,与所验设备相符	合格	
3	自验(试吊)记录	应由有关人员签字	合格	

附表二

设备检查

名称	序号	检测项目	要 求	结 果	备 注
标 牌	1	产品铭牌	生产厂、名称、型号齐全并固定于明显处	合格	
	2	起重性能标牌	应有额定起重量、性能参数及起升高度曲线,且固定于操作者便于看到的位置	合格	
钢 结 构	3*	主要结构件外观	不得有可见裂纹、严重变形和腐蚀	合格	
	4	主要连接件	应齐全,连接可靠	合格	
吊 钩	5	焊补痕迹	应无,有则报废	合格	
	6	挂绳断面处磨损	磨损量应不大于原高度10%	合格	
	7	整体外观	无可见裂纹、破口,有则报废	合格	
	8	危险断面及钩筋处	无明显变形,有则报废	合格	
	9	防脱棘爪	单钩必须有	合格	
	10	心轴	应完整	合格	
钢 丝 绳	11*	钢丝绳完好度	应符合 GB/T 5972 要求	合格	
	12	在绳筒上的排列	应整齐	合格	
	13	在绳筒上最少余留圈数	应 > 3 圈	合格	
	14	钢丝绳端部固定	有防松和自紧装置	合格	
绳 筒 和 滑 轮	15	绳筒两侧边缘的高度	应超过最外层钢丝绳2倍钢丝绳直径	合格	
	16	滑轮外观	无可见裂纹,轮缘无破损	合格	
	17	滑轮防钢丝绳跳槽装置	应完整	合格	



名称	序号	检测项目	要求	结果	备注
机 构	18	有伤人可能的活动 零部件外露部分	应设防护罩	合格	
	19	起升	载荷在空中停止后,再次作提升起 动,此时载荷在任何提升操作条件 下,均不得出现明显反向动作	合格	
	20	变幅	用钢丝绳升降起重臂的起重机, 起重臂的起落必须依靠动力系统 完成	合格	
	21	回转	回转过程中,回转机构应具有滑 转性能,行走时转台应能锁定	合格	
操 纵 及 电 气 系 统	22	急停开关	电力驱动的必须设置能切断总电 源的紧急开关,其安装位置应便 于司机操作;内燃机驱动的应在 启动电路中设置能切断启动电源 的开关	合格	
	23	电气联接	应接触良好,防止松脱,导线、 线束应固定可靠	合格	
	24	操纵手柄及标志	应有表明用途和操纵方向的清 楚标志	合格	
	25	溢流阀	应设置	合格	
	26	液压锁	在额定载荷下,发动机熄火油泵 停止工作后 15 min,检查各工作 油缸回缩量不超过 2 mm,吊重 物下降量不超过 15 mm	合格	
安 全 装 置 及 设 施	27*	起重量显示器	最大额定总起重量不大于 32t 的起重机,必须装设起重量显示 器	无此项	
		力矩限制器	起重量大于 32t 的起重机,必 须装设力矩限制器	合格	
	28*	起升高度限位	达到极限位置应自动停止动作	合格	
	29*	幅度限位	达到极限位置应自动停止动作	合格	
	30	防臂架后倾装置	达到极限位置应自动停止动作	合格	
	31	水平仪	最大额定总起重量大于 50t 的 起重机,必须装设水平仪	合格	
	32	风速仪及报警装 置	主臂长超过 55m 的起重机,应 设置风速仪,并设有报警装置	合格	
	33	臂架角度指示器	应装,便于操作者观看,读数清 晰	合格	
	34	音响联络信号	应设置,且应区别超载报警信 号	合格	
35	警告图案	吊钩颊板,起重臂头部,转台尾 部等突出部位应按规定涂刷警 告图案	合格		

提示: 1. 设备在使用过程中应注意安全状态检查,做好维保及记录工作;

2. 工作地面应坚实平整,设备移位时应保证路面地耐力及整机稳定性。

上海市建设工程建设机械年度检验

No. 00002125

合格证

机械类别	履带起重机	型号	CC2800
设备单位	上海市机械施工集团有限公司	设备编号	84
证号	NJAH170125	有效日期	至2018年03月19日



发证单位：上海市建设机械检测中心有限公司